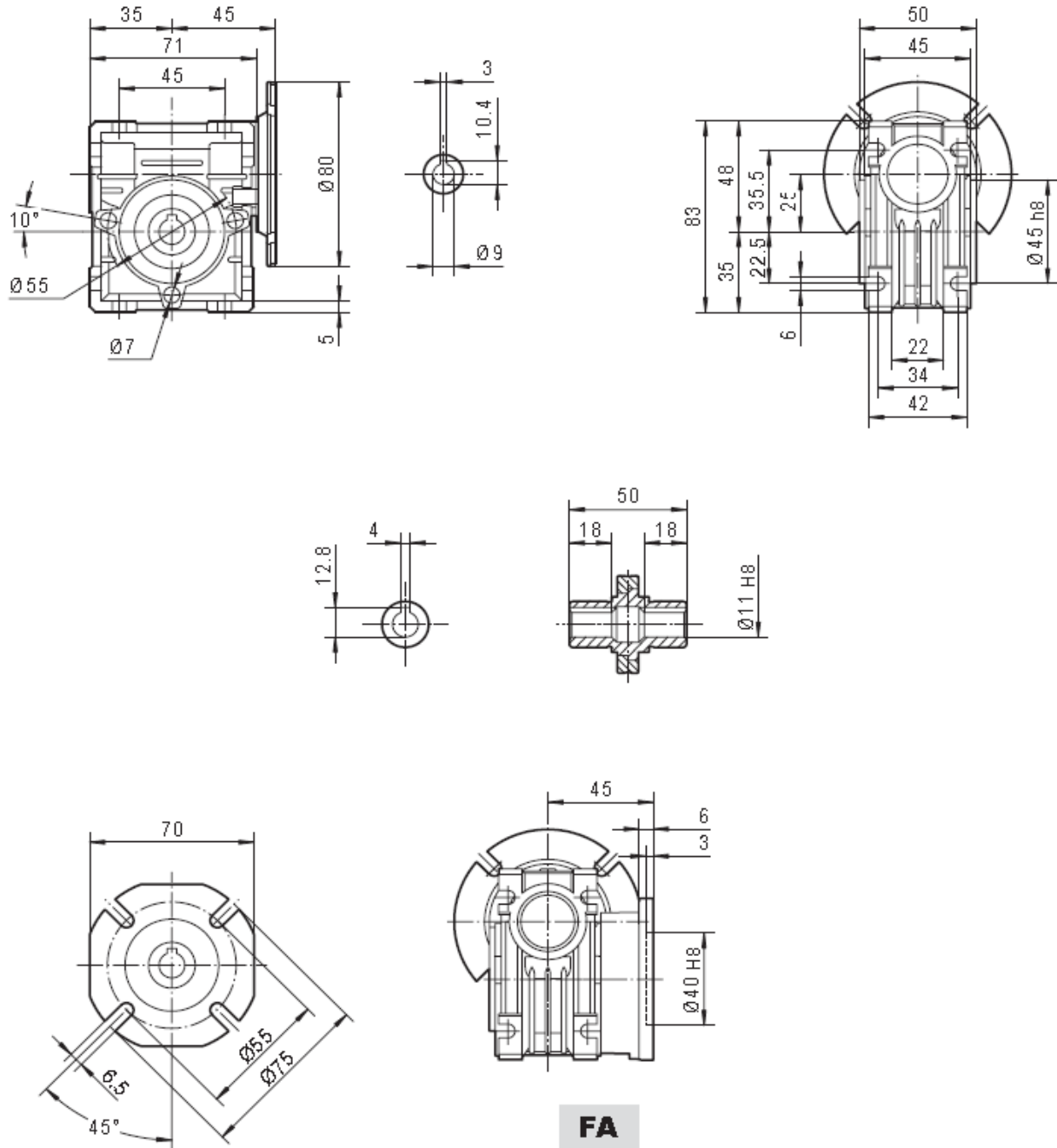




# Worm Gear Units

## TCNDK25



Weight without motor = 0.7 Kg